



911 HIVE

880.06

CE
Regulation (EU)
2017/745














EN

WWW.KONG.IT



Download the digital version

INDEX

| | | |
|--|---|-----------|
|  | 1 - SYMBOLS AND SUPPORT | 4 |
| | 1.1 Symbols | 4 |
| | 1.2 Technical assistance | 4 |
|  | 2 - GENERAL INFORMATION | 5 |
|  | 3 - TECHNICAL FEATURES | 6 |
| | 3.1 Terminology and materials of the parts | 6 |
| | 3.2 Technical data | 7 |
| | 3.3 Optional components and spare parts | 8 |
|  | 4 - SPECIFIC INFORMATION | 10 |
| | 4.1 Intended use | 10 |
| | 4.2 Assembly | 10 |
| | 4.3 Positioning and securing the patient | 12 |
| | 4.4 Transporting the patient | 13 |
|  | 5 - MAINTENANCE AND REPAIR | 15 |
| | 5.1 General Information | 15 |
| | 5.2 Maintenance | 15 |
| | 5.3 Repair | 15 |
|  | 6 - STORAGE | 16 |
|  | 7 - CHECKS, INSPECTIONS AND REVISIONS | 17 |
| | 7.1 Checks | 17 |
| | 7.2 Inspections | 17 |
| | 7.3 Revisions | 17 |
|  | 8 - DURATION AND WARRANTY | 18 |
| | 8.1 Duration | 18 |
| | 8.2 Disposal | 18 |
| | 8.3 Warranty | 18 |
| | 8.4 Law obligations | 18 |
|  | 9 - LABELLING AND SYMBOLS | 19 |
| | 9.1 Medical Device Label | 19 |
| | 9.2 Symbols | 19 |
|  | 10 - DOCUMENTS | 20 |
| | 10.1 Inspections and servicing register | 20 |
| | 10.2 Maintenance and repair register | 21 |
| | 10.3 EU Declaration of conformity | 22 |
|  | 11 - LIST OF APPLIED AND REFERENCE STANDARDS | 23 |
| | 11.1 Applied standards | 23 |
| | 11.2 Standards used as reference | 23 |

CHAPTER

1

SYMBOLS AND SUPPORT

1.1 SYMBOLS

For the sake of comfort and clarity while reading this manual, below are the symbols used for handling important warnings for a proper and safe use of the device.



REQUIREMENT FOR PROPER USE

It identifies the presence of information for proper use of the device.



INFORMATION REQUIREMENT

It identifies the presence of useful and general information which guides the reader towards a conscious use of the device and/or performance of actions.



It identifies that the Medical Device is manufactured, designed and produced in compliance with the provisions of the General Safety and Performance Requirements of Regulation (EU) 2017/745 (Class I medical device, in compliance with classification rule 1 as indicated in the attachment VIII).

1.2 SUPPORT

For information please contact Kong Customer Support Service by:

- telephone +39 0341 630506
- fax +39 0341 641550
- email: safetycare@kong.it

or write to KONG S.p.A. – Via XXV Aprile, 4 – 23804 Monte Marenzo LC - ITALY.

To facilitate support operations, please always communicate or state the serial number (SN) indicated on the label fixed to the Medical Device.

CHAPTER 2

2 GENERAL INFORMATION

The information provided by the manufacturer (hereinafter referred to as information) must be read and clearly understood by the user prior to using the Medical Device (MD hereafter). The information regards the description of the features, performance, assembly, disassembly, maintenance, preservation, disinfection, etc. of the device. Even though the information offers tips on use, this information shall not be considered as a user manual under actual conditions of use.



WARNINGS AND LIMITATIONS OF USE:

- this device shall be strictly used by people who are physically fit, trained (instructed and taught) to use the device and with specific experience regarding moving the patient or, during training activities, by people under direct supervision of the trainers/ supervisors who guarantee the safety thereof,
- do not use the device before fully reading and understanding this user manual,
- strictly follow the manufacturer's information, improper use of the device is hazardous,
- modifying and/or repairing the device is strictly forbidden,
- all checks described in chapter 7 must be carried out prior to and after using the device. In case of any doubt on the efficiency of the device, the user must replace it immediately,
- non-compliant use, deformations, falls, wear, chemical contamination, exposing textile/plastic components/devices to temperature below -30°C or above

- +50°C and metal components/devices to temperatures exceeding 100°C are some examples of causes that can reduce, limit and end the life of the device,
- before use, make sure the load capacity is not greater than that defined for this MD,
- in order to reduce risks of exposure to / transmission of infectious diseases, clean and disinfect the device as indicated in chapter 5,
- improper use of the patient immobilisation systems can jeopardise the safety of the patient,
- always check the compatibility of the devices used alongside the device by consulting the relative manufacturer's information,
- use of spare parts or optional components different from the ones defined for this MD can be hazardous,
- do not expose the device to sources of heat and at contact with chemical substances. Reduce exposure to direct sunlight as much as possible. At low temperatures and in the presence of humidity, formation of ice could reduce flexibility and increase cutting and abrasion-related risks on textile and synthetic devices,
- report to the manufacturer and the competent authority of the member state where the user and / or patient is established any serious incident occurring in relation to the MD.

All our devices are tested/ checked piece by piece in compliance with the procedures laid down by the Quality System certified in accordance with the UNI EN ISO 9001 standard. Laboratory tests, testing, information and standards do not always reproduce the practical result. Thus, the results obtained under the actual conditions of use of the device may differ, even considerably at times. The best information lies in the continuous practical use under the supervision of skilled/expert/qualified people.



Warning: not suitable for use in an ATEX environment (Directive 94/9/CE)

CHAPTER 3

TECHNICAL FEATURES

3.1 TERMINOLOGY AND MATERIALS OF THE PARTS

- A – Aluminium alloy frame, can be disassembled into two parts,
- B – Protective shells made of HDPE,
- C – Polyurethane foam mats,
- D – Polyester webbing for physically securing patient,
- E – Polyester webbing for fixing the mats,
- F – ARIES hanging kit.

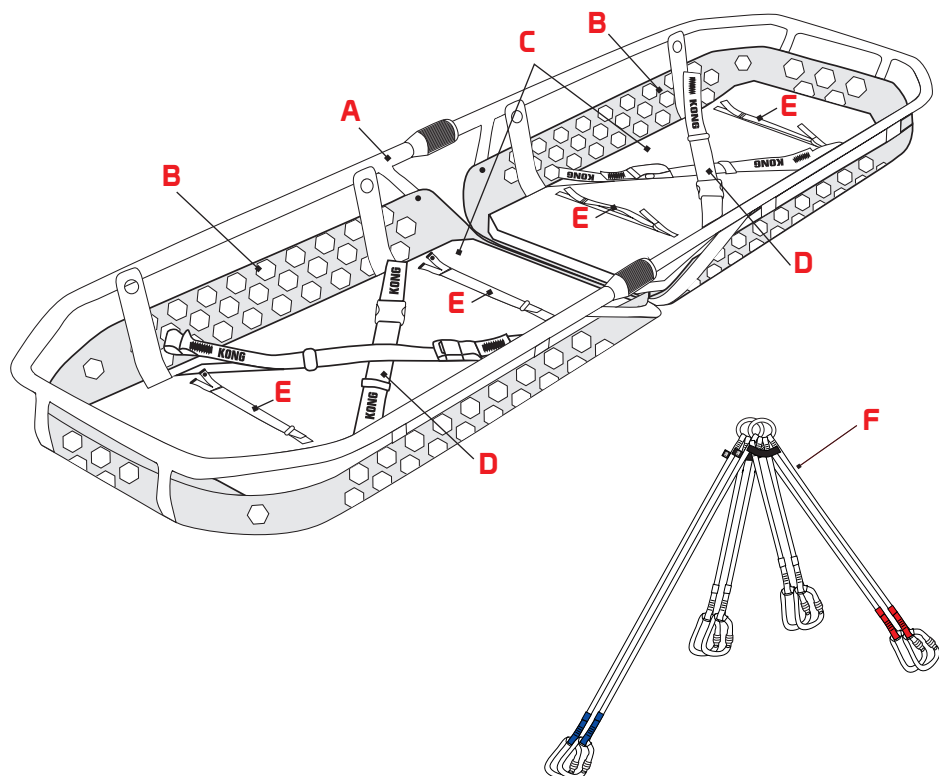


Fig.1

3.2 TECHNICAL DATA

3.2.1 Weight and dimensions

| | |
|-------------------------|--------|
| Length without handles: | 198 cm |
| Width: | 60 cm |
| Weight: | 9,6 kg |

3.2.2 Load capacity

| Mode of use | Load capacity |
|--|---------------|
| Manual transport (fig. 12): | 2400 kg |
| Manual transport with handles 880060KITKK (optional components) - (fig. 2) | 300 kg |
| Lifting and lowering with the hanging kit 880070100KK ARIES (fig. 13) | 2400 kg |
| Transport on slopes (par. 4.4.2) | 300 kg |

3.2.3 Buoyancy force

| Mode of use | Buoyancy force |
|--|----------------|
| River transportation (fig. 4) with kit 880020300KK FLOK-IT | 400 N (~40 kg) |



The safety factor shall be known and defined by the user.

3.3 OPTIONAL COMPONENTS AND SPARE PARTS

The methods of connection and use of the optional components are defined in the relative user instructions.

3.3.1 Optional components

880062KITKK – HANDLE KIT

Handles with an interlocking system that allows the shoulder strap to be connected to the stretcher frame, ensuring resistance and stability during transport.

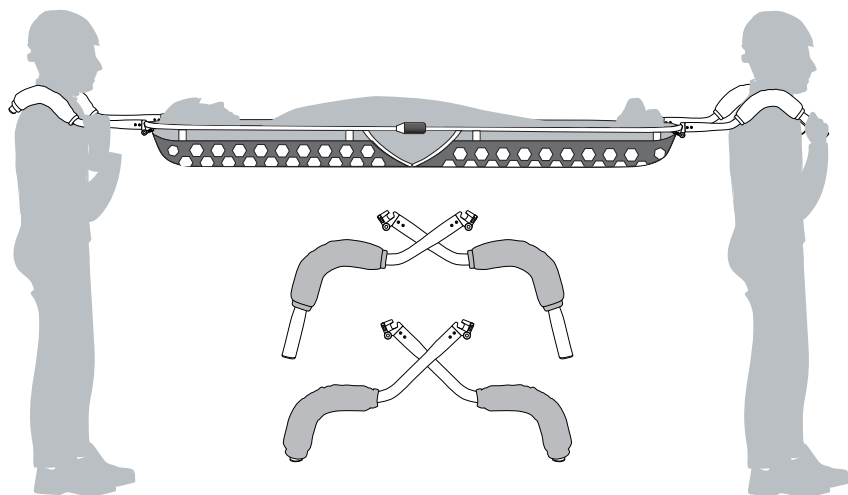


Fig.2

880020300KK FLOK-IT

Floating kit for stretchers, made of three cylinders of different lengths (2 side pieces 1 m long and 1 piece for the head side 40 cm long), each of one equipped with two fastening straps with quick release buckles.

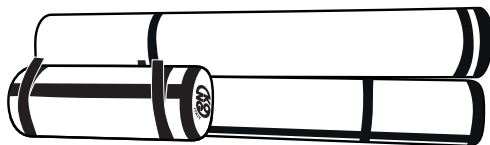


Fig.3

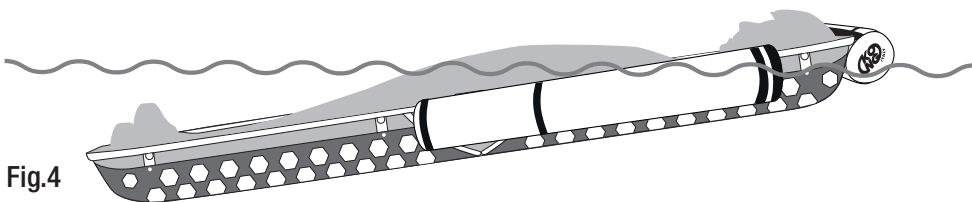


Fig.4

88008000KK WHEEL

Wheel equipped with mechanical disc brakes and a treaded tyre, to be attached to the stretcher in a barycentric position. Facilitates patient transport on flat terrain or on mule tracks.

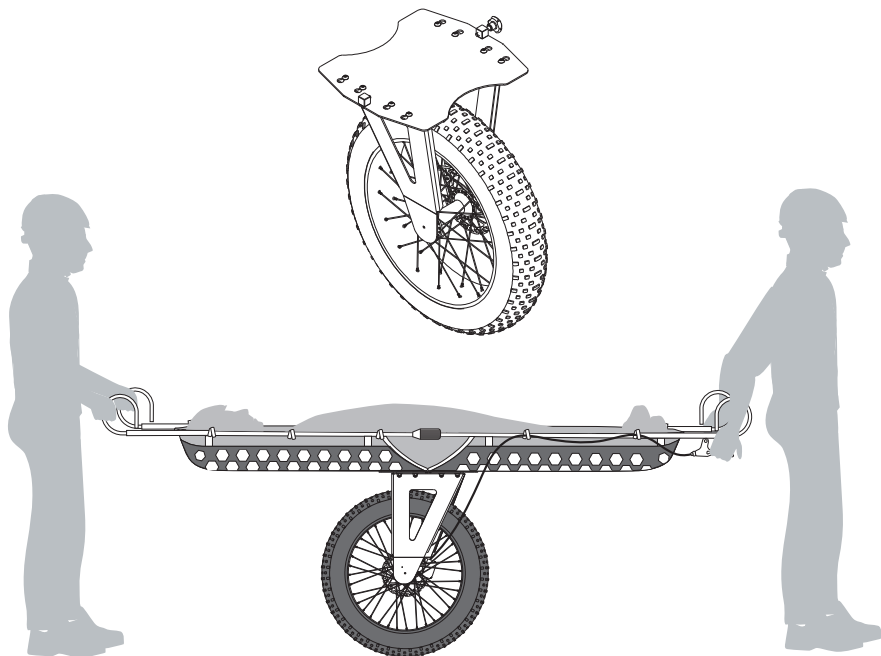


Fig.5

3.3.2 Spare parts

C – Mats.



Fig.6

CHAPTER 4

SPECIFIC INFORMATION

4.1 INTENDED USE

The “911 HIVE” stretcher is a MD particularly suitable for recovering and transporting a patient, which may also be immobilized on the “X-TRIM” spinal boards or the vacuum mattress “VACUUM.” All decisions regarding movement and immobilization of the patient, as well as the duration of these operations, the methods to be adopted and use in conjunction with other devices, must be taken and implemented by expert, trained personnel only. The ARIES hanging kit (F), makes the “911 HIVE” stretcher capable of being lifted by helicopter.

4.2 ASSEMBLY

Assemble the two halves of the structure in the following steps:

- a) bring the two halves closer together (fig. 7),

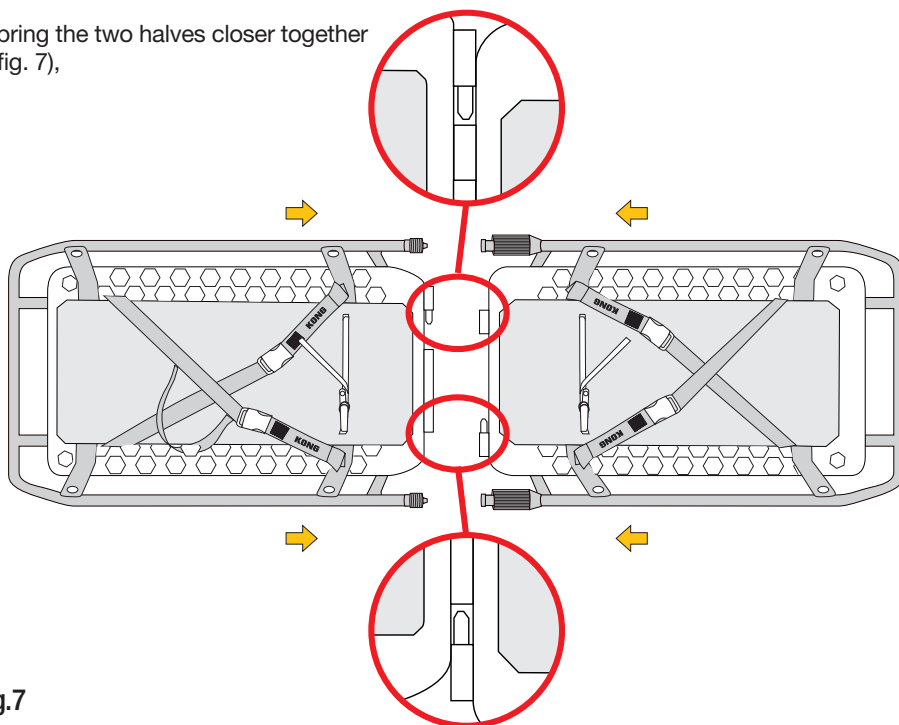


Fig.7

b) lift the two parts centrally and insert the pins into the cylinders (fig. 8),

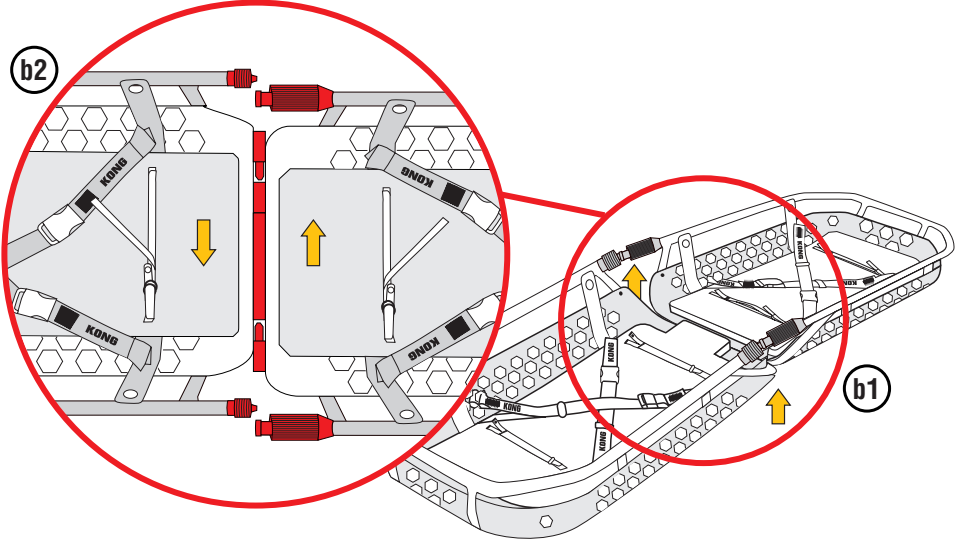


Fig.8

c) fully tighten the two ring nuts (fig. 9).

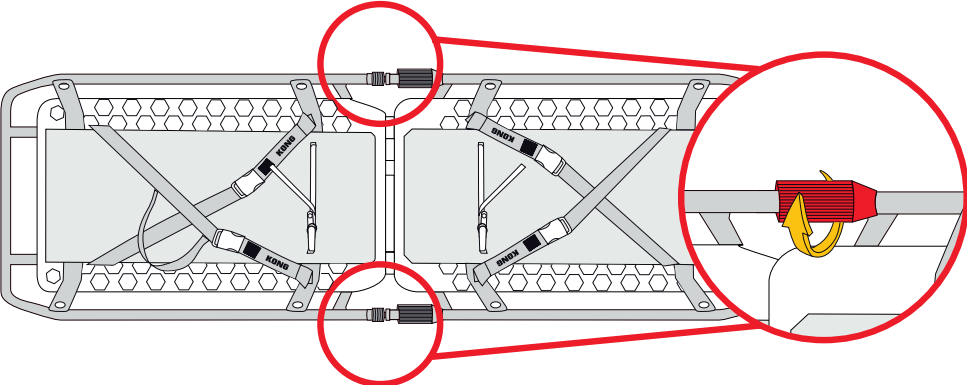


Fig.9

4.3 POSITIONING AND SECURING THE PATIENT

With the stretcher positioned on a flat, stable surface:

- a) unhook the buckles and open the securing straps (fig. 10),
- b) lay the patient in the stretcher, hook on the buckles and tension the straps until they secure the patient (fig. 11).

This procedure must also be used for patients immobilized on the “**X-TRIM**” spinal board or on the “**VACUUM**” vacuum mat.

Avoid prolonged contact of the patient’s skin with the fabrics of the device

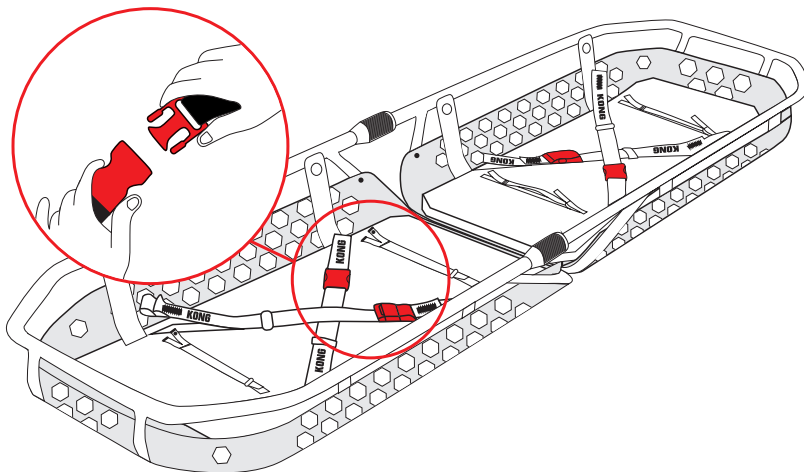


Fig.10

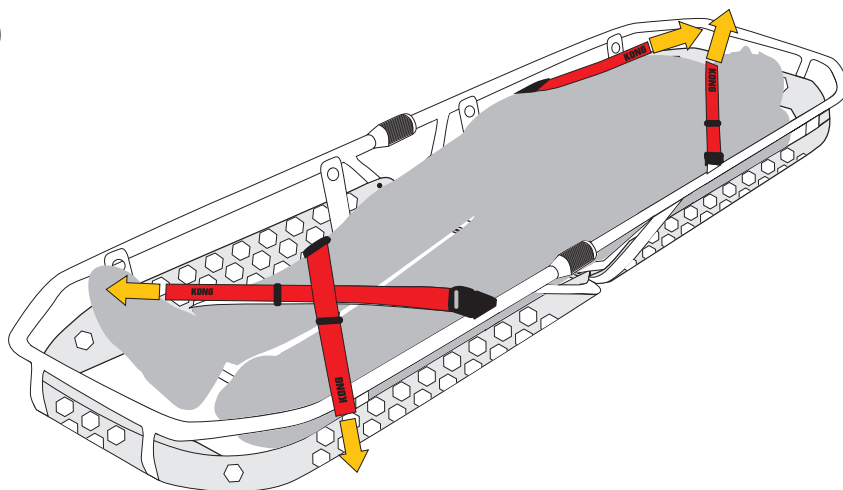


Fig.11

4.4 TRANSPORTING THE PATIENT

The “911 HIVE” stretcher is suitable for manual transport (fig. 12) and for lifting/lowering using the supplied ARIES hanging kit (fig. 13).

The device can be also used in combination with the following optional components:

- a) Handles, for “shoulder” transport (fig. 2),
- b) Flok-it, flotation device (fig. 3 and 4),
- c) Wheel, to facilitate the transport on flat paths and mule tracks (fig. 5).

For transport on slopes, secure the stretcher with a rope, as defined in paragraph 4.4.2.

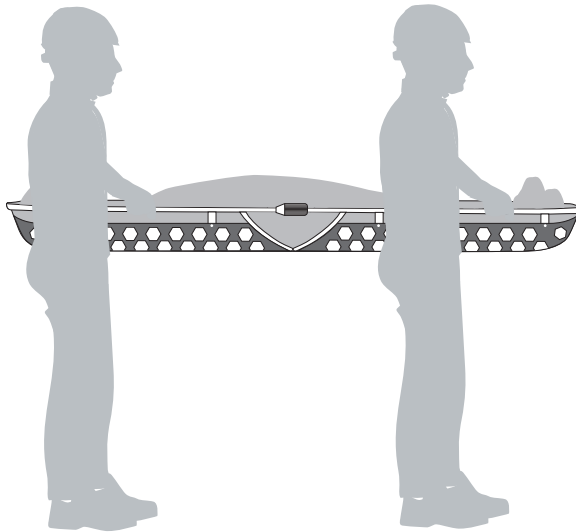


Fig.12



Before any recovery operation, make sure that the weight does not exceed the load capacity defined above!

4.4.1 Connection with the hanging kit

- Connect the hanging kit to the appropriate holes on the side of the stretcher using the eight connectors, while respecting the head-foot coupling indicated on the webbing,
- screw the connector nuts in completely.

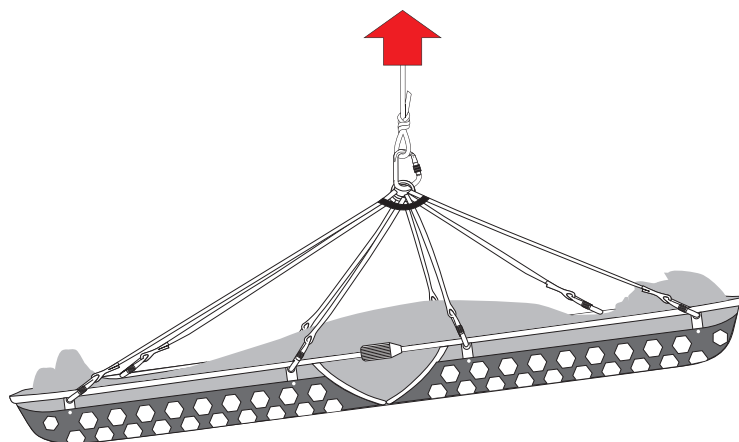


Fig.13

4.4.2 Transport on slopes

For lowering and retrieving on slopes up to 45°, connect the restraining rope to the two highlighted points at the head of the stretcher (fig. 14). It is the responsibility of the operators to define the connection methods, the choice of rope and the relative devices.

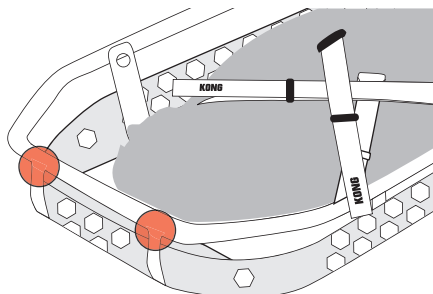


Fig.14

CHAPTER 5

MAINTENANCE AND REPAIR

5.1 GENERAL INFORMATION

This MD is made of material which is highly resistant to wear and external agents. Despite this, the use conditions require maintenance operations and even repair in particular conditions.



Maintenance and repair operations must be recorded in a special register, an example of which is indicated in chapter 10.

5.2 MAINTENANCE



The maintenance operations that must be carried out by the user are cleaning and disinfection (when necessary).

Cleaning: wash the device by hand in lukewarm water (30-32°C) with neutral detergent (pH 5.5-8.5) and allow it to air dry, avoiding direct exposure to the sun and heat sources,

Disinfection: immerse the MD (except for devices in/with parts in Dyneema® and aramid e.g. Kevlar®) for at least 30 minutes in warm water (58-60°C) and allow it to air dry, avoiding direct exposure to the sun and heat sources. Do not bleach, do not wash in a washing machine, do not spin-dry, do not tumble dry, do not iron and avoid sterilizing textile devices in an autoclave.

5.3 REPAIR



Repair shall be strictly carried out by the manufacturer.
The user is allowed to replace the parts mentioned in paragraph 3.3.2 only, with new and genuine parts.

CHAPTER 6

6 STORAGE

After cleaning, disinfecting (if necessary) and drying, store the MD and its accessories in a dry (relative humidity 40-90%), cool (temperature 5-30°C), dark, well-ventilated place, away from sharp edges, chemicals and other harmful conditions.



Do not store this device wet!

CHAPTER 7

CHECKS, INSPECTIONS AND REVISIONS

7.1 CHECKS

Before and after every use, check the device and ensure that:

- it is appropriate for the use it was intended for,
- it has not been subjected to mechanical deformations and it neither has cracks nor shows signs of wear,
- the textile parts do not have cuts, burns, chemical products residues, excessive hair, wear, in particular check areas at contact with the metal components (buckles, rings, etc.);
- the markings, including labels, are legible.

7.2 INSPECTIONS

The device must be inspected at least once a year, starting from the date of first use, by expert personnel trained and approved by KONG S.p.A. The date of the first use and the outcome of the inspection must be recorded in the Inspections and Servicing Register, regarding which an example is indicated in chapter 10.

7.3 REVISIONS

The device must be serviced by KONG S.p.A., or by expert personnel trained and approved by KONG S.p.A. if:

- any malfunctions are detected,
- the result of the pre and post use check or of the inspections is negative.

The outcome of the servicing must be recorded in the Inspections and Servicing Register, regarding which an example is indicated in chapter 10.

The revised device is guaranteed for one year from the revision date.

CHAPTER 8

DURATION AND WARRANTY

8.1 DURATION

Carefully read the “Warnings and limitations of use” paragraph in chapter 2. The duration of this device depends on the outcome of the at least one-yearly inspection (paragraph 7.2) and possible servicing. The hanging kit, even if not used, must be replaced after 10 years from the first use and in any case no later than 12 years from the date of manufacture.



Important: any devices that have not passed the pre-use, post-use and periodic inspection must be eliminated and made unusable.

8.2 DISPOSAL

Follow the rules in force in the country of use and the waste disposal procedures of the reference hospital facility for proper disposal.

8.3 WARRANTY

The manufacturer guarantees the compliance of the device with the regulations in force at the time of production. Warranty covering defects is limited to defects regarding raw materials and manufacturing defects. The warranty does not cover normal wear, oxidation, damage caused by non-compliant use and/or in competition, improper maintenance, transportation, preservation or storage. Warranty will be immediately deemed null and void should the device be modified or tampered with. Validity corresponds to the legal validity of the country where the device was sold, as from the date of sale, by the manufacturer. No claims shall be raised against the manufacturer once the aforementioned period has expired. Any repair or replacement request under warranty must be accompanied by a proof of purchase. Should the defect be recognised, the manufacturer undertakes to repair or, replace or refund the device at his discretion. The manufacturer shall not be held liable beyond the invoice price of the device in any case whatsoever.

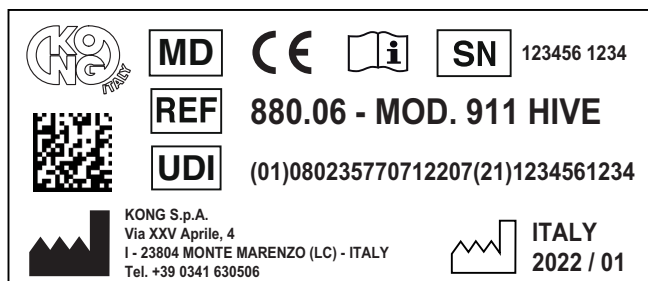
8.4 LAW OBLIGATIONS

Professional and free time activities are often regulated by special national laws which can impose limits and/or obligations concerning the use of these devices. The user has the obligation to know and apply such laws which could provide for limits different from those indicated in this information.

CHAPTER 9

LABELLING AND SYMBOLS







9.1 MEDICAL DEVICE LABEL



Any changes to the positioning of the symbols does not change the content thereof.

9.2 SYMBOLS



Identification and traceability

| | |
|---|--|
|  | Medical Device |
|  | Product identification code |
|  | Unique Device Identifier |
|  | Manufacturer's identification |
|  | Unique serial number |
|  | Country, year and month of production. |



Data matrix UDI
 Readable with the Apps:
 iGepir - BarValid - Barcode Scanner

Information and safety

| | |
|---|---|
|  | Consult the user manual |
|  | Compliant with Regulation (EU) 2017/745 |

CHAPTER 10

DOCUMENTS

10.1 INSPECTIONS AND SERVICING REGISTER

| STRETCHER - Class I MD | | | | |
|----------------------------------|----------------|--------------------|----------------|-------------------|
| REF. | 880.06 | MOD. | 911 HIVE | |
| UDI-DI | 08023577071220 | SN | | |
| Date of first use | | | | |
| INSPECTIONS AND SERVICING | | | | |
| DATE | I/S | Description | Outcome | Supervisor |
| | | | | |
| | | | | |
| | | | | |
| | | | | |
| | | | | |
| | | | | |
| | | | | |
| | | | | |
| | | | | |
| | | | | |
| | | | | |
| | | | | |
| | | | | |
| | | | | |
| | | | | |
| | | | | |
| | | | | |
| | | | | |
| | | | | |
| | | | | |

10.2 MAINTENANCE AND REPAIR REGISTER

| STRETCHER - Class I MD | | | | |
|-----------------------------------|----------------|--------------------|----------------|-------------------|
| REF. | 880.06 | MOD. | 911 HIVE | |
| UDI-DI | 08023577071220 | SN | | |
| Date of first use | | | | |
| MANUTENZIONI E RIPARAZIONI | | | | |
| DATA | M/R | Description | Outcome | Supervisor |
| | | | | |
| | | | | |
| | | | | |
| | | | | |
| | | | | |
| | | | | |
| | | | | |
| | | | | |
| | | | | |
| | | | | |
| | | | | |
| | | | | |
| | | | | |
| | | | | |
| | | | | |
| | | | | |
| | | | | |
| | | | | |
| | | | | |

10.3 EU DECLARATION OF CONFORMITY

The EU Declaration of Conformity is available for download at www.kong.it



KONG s.p.a.

via XXV Aprile, 4 | 23804 Monte Marengo (LC) - ITALY | tel +39 0341.630506 | info@kong.it



certified UNI EN ISO 9001

DICHIARAZIONE DI CONFORMITÀ UE EU DECLARATION OF CONFORMITY

Il fabbricante
Manufacturer:

KONG S.p.A.

Ragione sociale:
Company:

Sede legale:
Registered office:

Via XXV Aprile, 4 - 23804 Monte Marengo (LC)

Numero di registrazione unico:
Single registration number:

IT-MF-000027905
IT-MF-000027905

Dichiara sotto la propria ed unica responsabilità che il dispositivo:
Declares under its sole responsibility that the device:

Nome Commerciale:
Commercial name:

911 HIVE

UDI-DI di Base:
Basic UDI-DI:

8023577STRETCHERSQP

EMDN

V08050199 – Barelle per il trasferimento di pazienti - altre
V08050199 - Stretchers for the transfer of patients – others

Destinazione d'uso
Intended use:

Barella per il trasporto dei pazienti durante operazioni di soccorso
Stretcher for transporting patients during rescue operations

è conforme al Regolamento (UE) 2017/745
complies with (EU) Regulation 2017/745

Classificazione:
Classification:

Classe I (All. VIII regola 1)
Class I (Ann. VIII rule 1)

Procedimento di valutazione della conformità:
Conformity evaluation procedure:

All. II e III
Ann. II and III

Monte Marengo, 23/11/2022

KONG S.p.A.
Il Legale Rappresentante
The legal representative
Dott. Marco Bonaiti

Modulo in revisione 1 del 01/12/2021 / Revision form 1 of 01/12/2021

Cap. Soc. € 2.000.000,00 | C.C.I.A.A. Lecco REA 165758 | Reg. Imprese di Lecco 00703180166 | P.IVA (VAT): IT 00703180166 | SDI code: DXEBYTP

www.kong.it

CHAPTER 11

11.1 APPLIED STANDARDS

- EN 597-1: 2015
Furniture - Assessment of the ignitability of mattresses and upholstered bed bases - Part 1: Ignition source smouldering cigarette
- EN 1865-1: 2010 + A1: 2015
Patient handling equipment used in road ambulances - Part 1: General stretcher systems and patient handling equipment
- EN 62366-1: 2015 + A1: 2020
Medical devices - Application of usability engineering to medical devices
- EN ISO 846:2019
Plastics - Evaluation of the action of microorganisms
- EN ISO 10993-1: 2020
Biological evaluation of medical devices - Part 1: Evaluation and testing within a risk management process
- EN ISO 10993-5: 2009
Biological evaluation of medical devices - Part 5: Tests for in vitro cytotoxicity
- EN ISO 10993-23: 2021
Biological evaluation of medical devices - Part 23: Tests for irritation
- EN ISO 14971: 2019
Medical devices - Application of risk management to medical devices
- EN ISO 15223-1: 2021
Medical devices — Symbols to be used with information to be supplied by the manufacturer — Part 1: General requirements
- EN ISO 20417: 2021
Medical devices - Information to be supplied by the manufacturer.

11.2 STANDARDS USED AS REFERENCE

- EN ISO 13485: 2016
Medical devices - Quality management systems - Requirements for regulatory purposes
- EN 13718-1: 2014 + A1: 2020
Medical vehicles and their equipment - Air ambulances - Part 1: Requirements for medical devices used in air ambulances.

KONG s.p.a.

Via XXV Aprile, 4 - (zona industriale)

I - 23804 MONTE MARENZO (LC) - ITALY

Tel +39 0341630506 - Fax +39 0341641550

www.kong.it

Y5760000YBK



911 HIVE

880.06

CE
Regolamento (UE)
2017/745



IT

WWW.KONG.IT



Download the digital version - Scarica la versione digitale

INDICE

| | | |
|--|---|-----------|
|  | 1 - SIMBOLOGIA E ASSISTENZA | 4 |
| | 1.1 Simbologia | 4 |
| | 1.2 Assistenza | 4 |
|  | 2 - INFORMAZIONI GENERALI | 5 |
|  | 3 - CARATTERISTICHE TECNICHE | 6 |
| | 3.1 Terminologia e materiali delle parti | 6 |
| | 3.2 Dati tecnici | 7 |
| | 3.3 Componenti opzionali e ricambi | 8 |
|  | 4 - INFORMAZIONI SPECIFICHE | 10 |
| | 4.1 Destinazione d'uso | 10 |
| | 4.2 Montaggio | 10 |
| | 4.3 Posizionamento e bloccaggio del paziente | 12 |
| | 4.4 Trasporto del paziente | 13 |
|  | 5 - MANUTENZIONE E RIPARAZIONE | 15 |
| | 5.1 Generale | 15 |
| | 5.2 Manutenzione | 15 |
| | 5.3 Riparazione | 15 |
|  | 6 - IMMAGAZZINAMENTO | 16 |
|  | 7 - CONTROLLI, ISPEZIONI E REVISIONI | 17 |
| | 7.1 Controlli | 17 |
| | 7.2 Ispezioni | 17 |
| | 7.3 Revisioni | 17 |
|  | 8 - DURATA E GARANZIA | 18 |
| | 8.1 Durata | 18 |
| | 8.2 Smaltimento | 18 |
| | 8.3 Garanzia | 18 |
| | 8.4 Obblighi di legge | 18 |
|  | 9 - ETICHETTATURA E SIMBOLOGIA | 19 |
| | 9.1 Etichettatura del Dispositivo Medico | 19 |
| | 9.2 Simbologia | 19 |
|  | 10 - DOCUMENTI | 20 |
| | 10.1 Registro ispezioni e revisioni | 20 |
| | 10.2 Registro manutenzioni e riparazioni | 21 |
| | 10.3 Dichiarazione di conformità UE | 22 |
|  | 11 - ELENCO DELLE NORME APPLICATE E DI RIFERIMENTO | 23 |
| | 11.1 Norme applicate | 23 |
| | 11.2 Norme utilizzate come riferimento | 23 |

1.1 SIMBOLOGIA

Per rendere confortevole e chiara la lettura del manuale si riporta di seguito la simbologia utilizzata per la gestione delle avvertenze importanti per un uso corretto e sicuro del dispositivo.



REQUISITO PER UN USO CORRETTO

Identifica la presenza di informazioni per un uso corretto del dispositivo.



REQUISITO INFORMATIVO

Identifica la presenza di informazioni utili e di carattere generale la cui lettura guida l'utilizzatore ad un uso consapevole del dispositivo e/o all'esecuzione di azioni.



Identifica che il Dispositivo Medico è progettato e prodotto in rispondenza a quanto previsto dai Requisiti Generali di sicurezza e prestazione del Regolamento (UE) 2017/745 (Dispositivo medico di classe I, in rispondenza alla regola di classificazione 1 così come indicato dall'allegato VIII).

1.2 ASSISTENZA

Per informazioni contattare il Servizio Assistenza Clienti Kong mediante:

- telefono +39 0341 630506

- fax +39 0341 641550

- email: safetycare@kong.it

oppure scrivere a KONG S.p.A. – Via XXV Aprile, 4 – 23804 Monte Marenzo LC - ITALY.

Per agevolare le operazioni di assistenza comunicare o indicare sempre il numero di serie (SN) riportato sull'etichetta applicata al Dispositivo Medico.

CAPITOLO 2

2 INFORMAZIONI GENERALI

Le informazioni fornite dal fabbricante (di seguito informazioni) devono essere lette e ben comprese dall'utilizzatore prima dell'impiego del Dispositivo Medico (di seguito DM). Le informazioni riguardano la descrizione delle caratteristiche, delle prestazioni, del montaggio, dello smontaggio, della manutenzione, della conservazione, della disinfezione, ecc. del dispositivo, anche se contengono alcuni suggerimenti di impiego non devono essere considerate un manuale d'uso nelle situazioni reali.



AVVERTENZE E LIMITAZIONI D'USO:

- questo dispositivo deve essere utilizzato solo da persone fisicamente idonee, formate (informate e addestrate) all'uso e con esperienza specifica riguardo alla movimentazione dei pazienti o, nelle attività di formazione, da persone sottoposte al controllo diretto di formatori/supervisor che ne garantiscono la sicurezza,
- non utilizzare il dispositivo fino a quando non sia stato letto e compreso il presente manuale d'uso in ogni sua parte,
- attenersi scrupolosamente alle informazioni del fabbricante, l'utilizzo improprio del dispositivo è pericoloso,
- è assolutamente vietato modificare e/o riparare il dispositivo,
- prima e dopo l'uso devono essere effettuati tutti i controlli descritti al capitolo 7. Se l'utilizzatore ha il minimo dubbio sull'efficienza del dispositivo, lo deve sostituire immediatamente,
- l'uso non conforme, le deformazioni, le cadute, l'usura, la contaminazione chimica, l'esposizione a temperature inferiori a -30°C

- o superiori a +50°C per i componenti/dispositivi tessili/plastici, e +100°C per i componenti/dispositivi metallici, sono alcuni esempi di cause che possono ridurre, limitare e terminare la vita del dispositivo,
- prima dell'uso assicurarsi che il peso non ecceda la capacità di carico definita per questo DM,
- per ridurre i rischi di esposizione / trasmissione di malattie infettive effettuare la pulizia e la disinfezione del dispositivo come definito al capitolo 5,
- l'utilizzo improprio dei sistemi di bloccaggio del paziente può mettere a rischio l'incolumità dello stesso,
- verificare sempre la compatibilità dei dispositivi utilizzati in abbinamento mediante le relative informazioni del fabbricante,
- l'utilizzo di ricambi o componenti opzionali diversi da quelli definiti per questo DM può essere pericoloso,
- evitare l'esposizione del dispositivo a fonti di calore e al contatto con sostanze chimiche. Ridurre al necessario l'esposizione diretta al sole. A temperature basse e in presenza di umidità la formazione di ghiaccio può ridurre la flessibilità e aumentare il rischio di taglio e abrasione sui dispositivi tessili e sintetici,
- segnalare al fabbricante e all'autorità competente dello Stato membro in cui l'utilizzatore e/o il paziente è stabilito, qualsiasi incidente grave dovuto all'utilizzo del DM.

Tutti i nostri dispositivi sono collaudati/controllati pezzo per pezzo in accordo alle procedure del Sistema Qualità certificato secondo la norma UNI EN ISO 9001. I test di laboratorio, i collaudi, le informazioni e le norme non sempre riescono a riprodurre la pratica, per cui i risultati ottenuti nelle reali condizioni d'utilizzo del dispositivo possono differire in maniera talvolta anche rilevante. Le migliori informazioni sono la continua pratica d'uso sotto la supervisione di persone competenti/esperte/qualificate.



**Attenzione: non adatto
all'utilizzo in ambiente ATEX
(Direttiva 94/9/CE)**

3.1 TERMINOLOGIA E MATERIALI DELLE PARTI

- A – Telaio in lega di alluminio, smontabile in due parti simmetriche,
- B – Gusci di protezione in polietilene ad alta densità,
- C – Materassini in poliuretano espanso,
- D – Fettucce in poliesteri per il bloccaggio del paziente,
- E – Fettucce in poliesteri per il fissaggio dei materassini,
- F – Sospensiva ARIES.

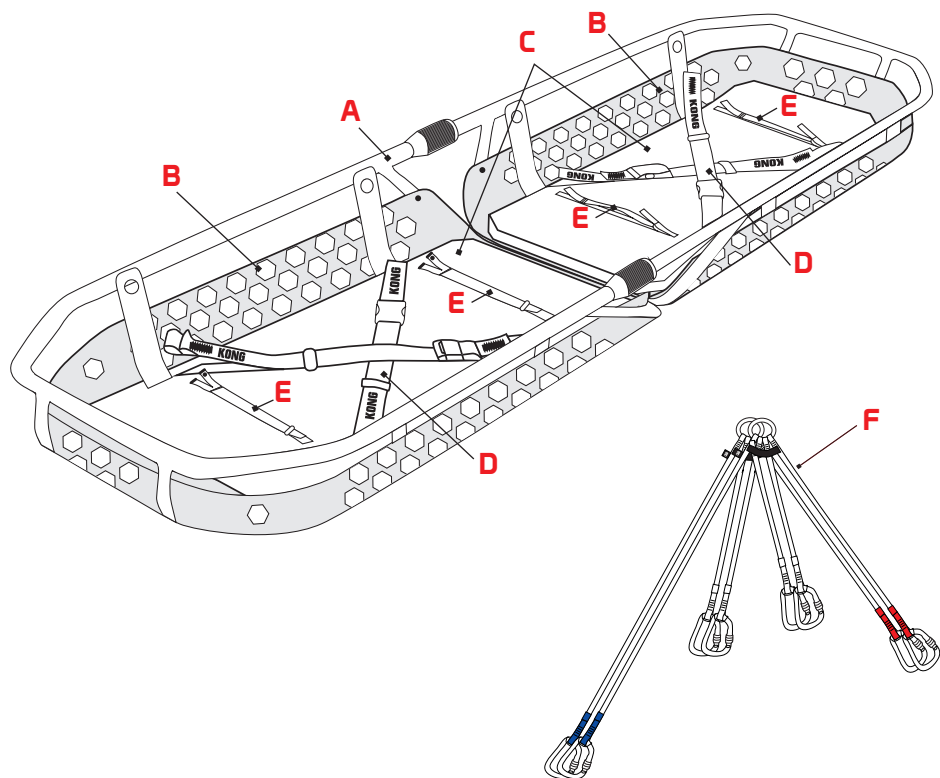


Fig.1

3.2 DATI TECNICI

3.2.1 Dimensioni e peso

| | |
|-------------------------|--------|
| Lunghezza senza manici: | 198 cm |
| Larghezza: | 60 cm |
| Peso: | 9,6 kg |

3.2.2 Capacità di carico

| Modalità di utilizzo | Capacità di carico |
|--|--------------------|
| Trasporto manuale (fig. 12): | 2400 kg |
| Trasporto manuale mediante i manici 880060KITKK (componenti opzionali) - (fig. 2) | 300 kg |
| Sollevamento e calata mediante sospensiva ARIES 880070100KK (fig. 13) | 2400 kg |
| Trasporto su piani inclinati (par. 4.4.2) | 300 kg |

3.2.3 Spinta di galleggiamento

| Modalità di utilizzo | Spinta di galleggiamento |
|---|--------------------------|
| Trasporto Fluviale (fig. 4) con il kit 880020300KK FLOK-IT | 400 N (~40 kg) |



Il coefficiente di sicurezza deve essere conosciuto e definito dall'utilizzatore.

3.3 COMPONENTI OPZIONALI E RICAMBI

Le modalità di collegamento e di utilizzo dei componenti opzionali sono definite nelle relative istruzioni d'uso.

3.3.1 Componenti opzionali

880062KITKK – KIT MANICI

Manici con sistema a incastro che permette di collegare rapidamente lo spallaccio al telaio della barella e garantire un'ottima resistenza e una buona stabilità durante il trasporto.

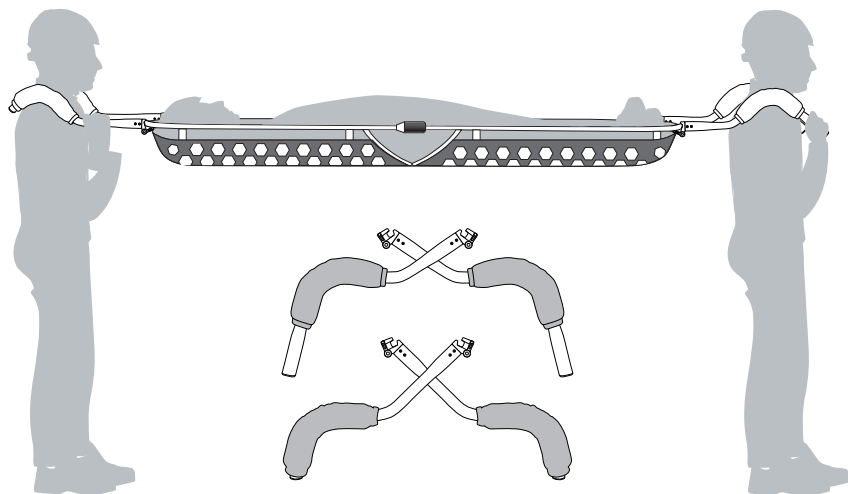


Fig.2

880020300KK FLOK-IT

Kit galleggianti per barelle, costituito da tre cilindri di diversa lunghezza (2 laterali lunghi 1 m e 1 per il lato testa lungo 40 cm), ciascuno dotato di due cinghie di fissaggio con fibbie a sgancio rapido.

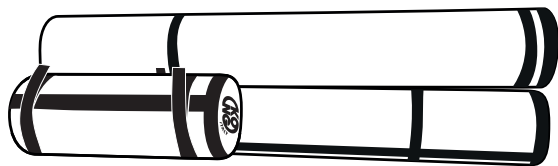


Fig.3

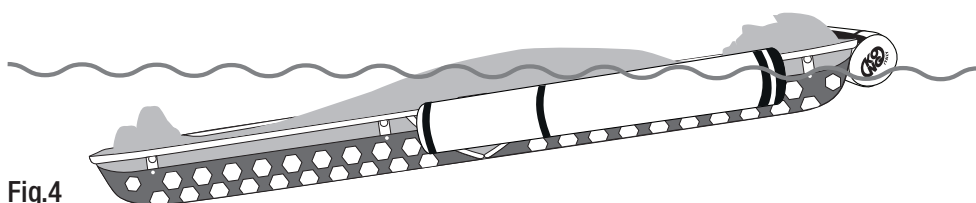


Fig.4

88008000KK RUOTA

Ruota dotata di freni a disco meccanici e con pneumatico tassellato, da applicare alla barella in posizione baricentrica. Facilita il trasporto del paziente su terreni pianeggianti e su mulattiere.

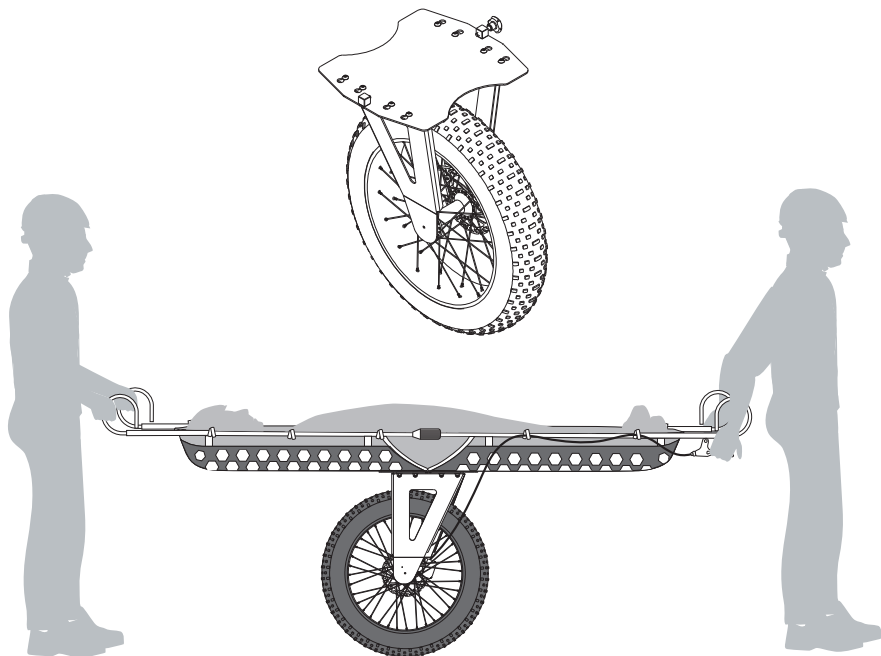


Fig.5

3.3.2 Ricambi

C – Materassini.

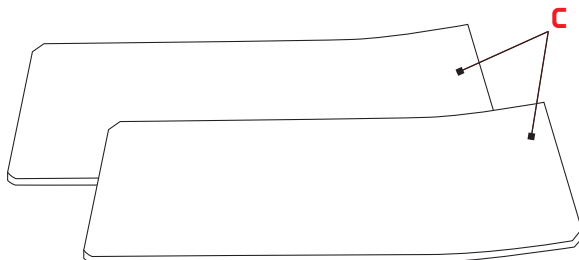


Fig.6

4.1 DESTINAZIONE D'USO

La barella **"911 HIVE"** è un DM particolarmente adatto per recuperare e trasportare un paziente, anche immobilizzato sulle tavole spinali **"X-TRIM"** o sul materassino a depressione **"VACUUM"**.

Le decisioni in merito alla movimentazione e all'immobilizzazione del paziente, nonché alla durata, alle modalità da adottare e all'abbinamento con altri dispositivi, devono essere prese ed effettuate solo da personale esperto e addestrato.

La sospensiva **ARIES** (F) rende la barella **"911 HIVE"** verricellabile.

4.2 MONTAGGIO

Assemblare le due parti della struttura mediante le seguenti operazioni:

a) avvicinare le due metà (fig. 7),

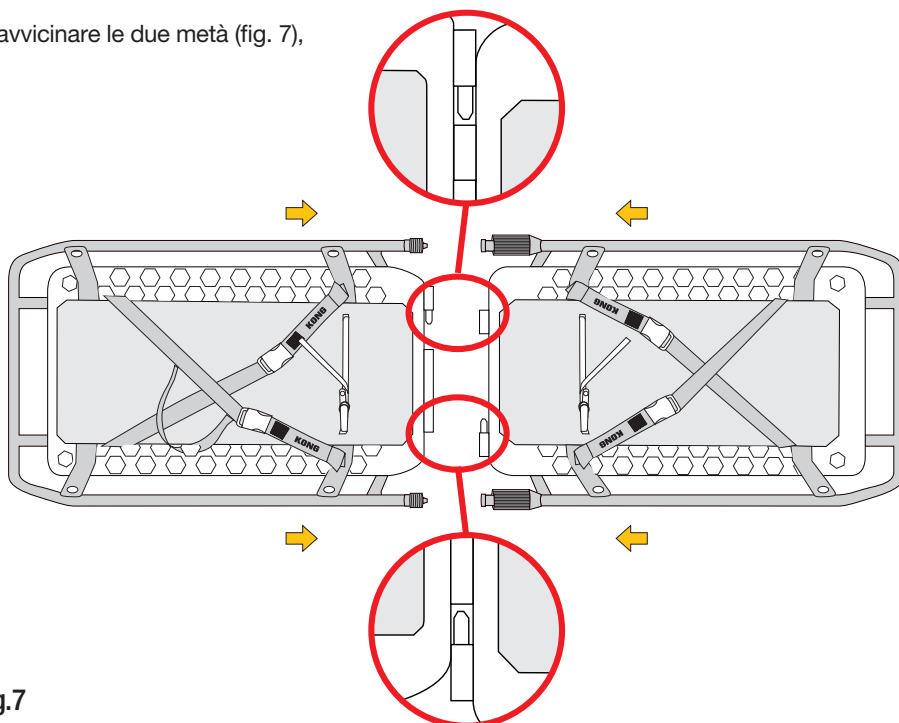


Fig.7

b) sollevare centralmente le due parti e inserire i perni nei cilindri (fig. 8),

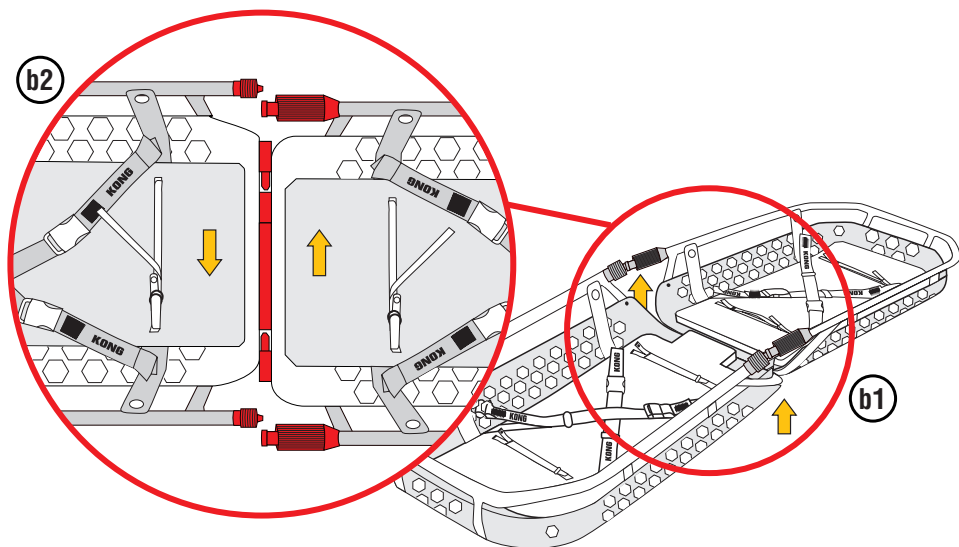


Fig.8

c) avvitare completamente le due ghiera (fig. 9).

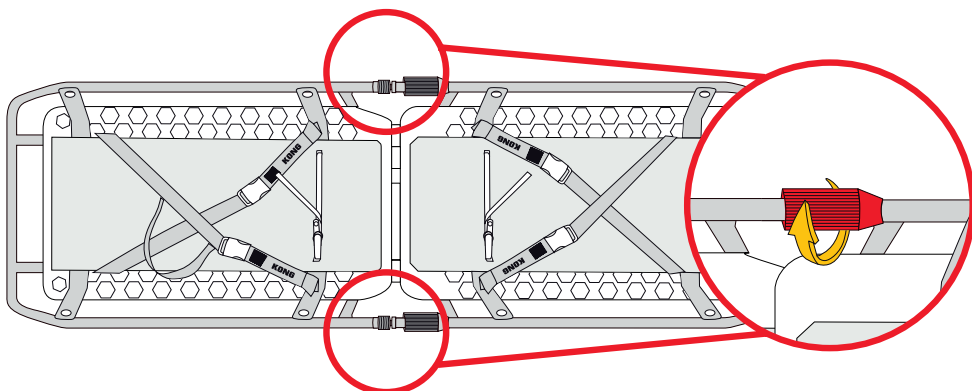


Fig.9

4.3 POSIZIONAMENTO E BLOCCAGGIO DEL PAZIENTE

Con la barella posizionata su una superficie piana e stabile:

- sganciare le fibbie ed aprire le fettucce di bloccaggio (fig. 10),
- adagiare il paziente nella barella, agganciare le fibbie e tensionare le fettucce fino a bloccarlo (fig. 11).

Tale procedura deve essere applicata anche nel caso di pazienti immobilizzati sulla tavola spinale "X-TRIM" o sul materassino a depressione "VACUUM".

Evitare il prolungato contatto della cute del paziente con i tessuti del dispositivo.

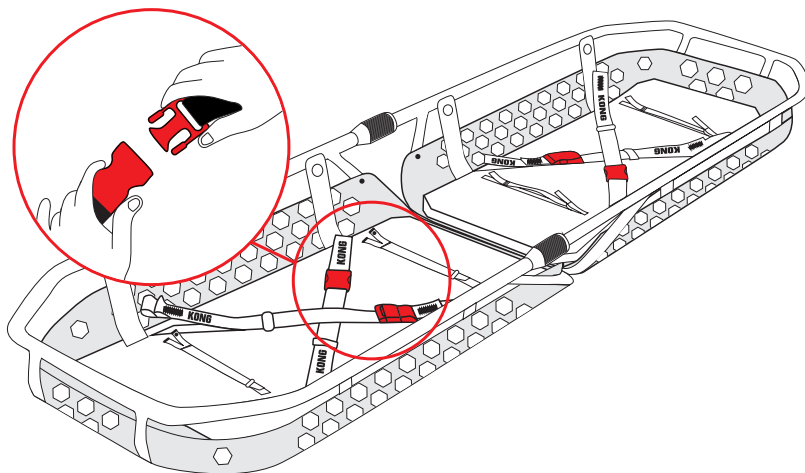


Fig.10

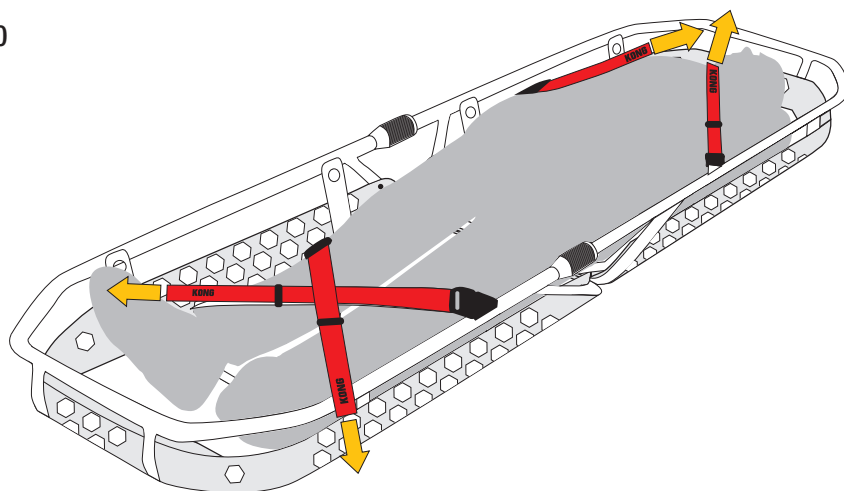


Fig.11

4.4 TRASPORTO DEL PAZIENTE

La barella "911 HIVE" è adatta al trasporto manuale (fig. 12) e al sollevamento/calata tramite la sospensiva ARIES in dotazione (fig. 13).

È inoltre possibile utilizzare il dispositivo in combinazione con i seguenti componenti opzionali:

- a) Manici, per il trasporto "a spalla" (fig. 2),
 - b) Flok-it, dispositivo di galleggiamento (figg. 3 e 4),
 - c) Ruota, per agevolare la movimentazione su sentieri pianeggianti e mulattiere (fig. 5).
- Per il trasporto su piani inclinati, assicurare la barella con una fune come definito al paragrafo 4.4.2.

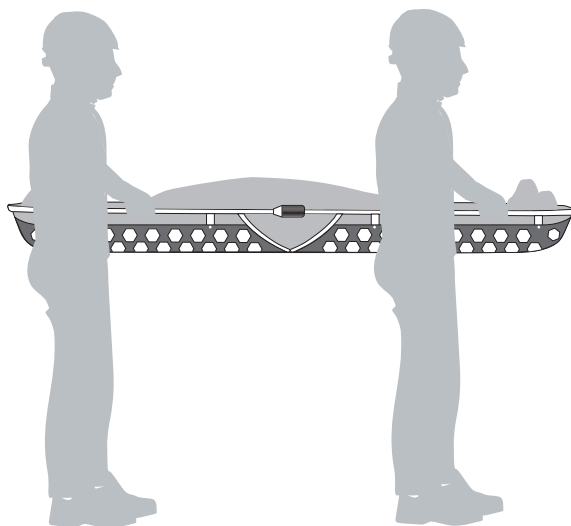


Fig.12



Prima di qualsiasi operazione di recupero assicurarsi che il peso non ecceda la capacità di carico definita!

4.4.1 Collegamento alla sospendita

- Collegare la sospendita agli appositi fori laterali della barella mediante gli otto connettori, rispettando l'accoppiamento testa-piedi indicato sulle fettucce,
- avvitare completamente le ghiere dei connettori.

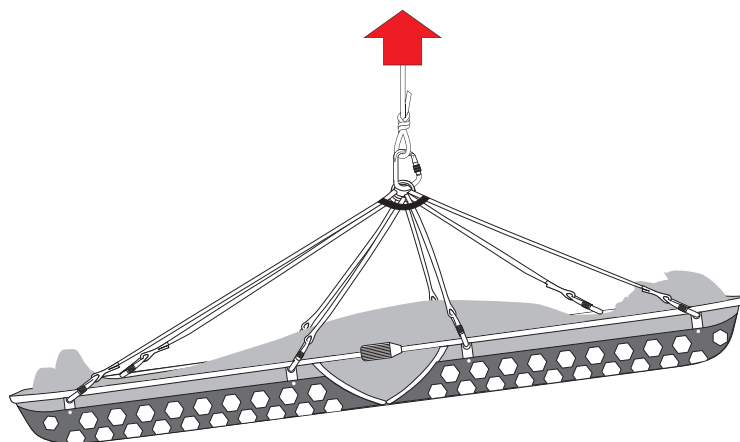


Fig.13

4.4.2 Trasporto su piani inclinati

Per calate e recuperi su pendenze fino a 45°, collegare la fune di trattenuta alla testata della barella nei due punti evidenziati in fig. 14. È responsabilità degli operatori definire le modalità di collegamento, nonché la scelta della fune e dei relativi dispositivi.

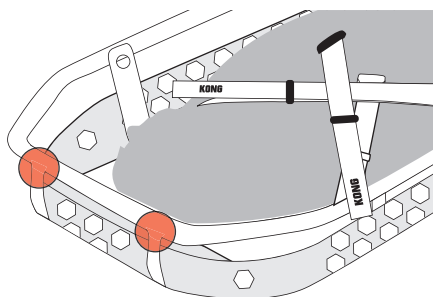


Fig.14

CAPITOLO 5

MANUTENZIONE E RIPARAZIONE

5.1 GENERALE

Questo DM è realizzato con materiali di elevata resistenza all'usura e agli agenti esterni. Nonostante ciò le condizioni di utilizzo rendono necessari interventi di manutenzione e, in casi particolari, anche di riparazione.



La manutenzione e le riparazioni devono essere registrate su apposito registro di cui si riporta un esempio nel capitolo 10.

5.2 MANUTENZIONE



Gli interventi di manutenzione che devono essere eseguiti dall'utilizzatore sono la pulizia e la disinfezione (quando ritenuta necessaria).

Pulizia: lavare il dispositivo a mano in acqua tiepida (30-32°C) con detergente neutro (pH 5,5-8,5) e lasciarlo asciugare all'aria evitando l'esposizione diretta al sole e a fonti di calore,

Disinfezione: immergere il DM (ad eccezione dei componenti/parti in Dyneema® e aramide es. Kevlar®) per almeno 30 minuti in acqua calda (58-60°C) e lasciarlo asciugare all'aria evitando l'esposizione diretta al sole e a fonti di calore. Non candeggiare, non lavare in lavatrice, non centrifugare, non asciugare con asciugatrice, non stirare, non sterilizzare in autoclave i dispositivi/parti tessili.

5.3 RIPARAZIONE



Le riparazioni devono essere svolte esclusivamente dal costruttore. All'utilizzatore è consentito sostituire solo le parti menzionate al paragrafo 3.3.2 con nuove e originali.

CAPITOLO 6

IMMAGAZZINAMENTO

6 IMMAGAZZINAMENTO

Dopo avere effettuato la pulizia, l'eventuale disinfezione e l'asciugatura, immagazzinare il DM e i suoi accessori in luoghi asciutti (umidità relativa 40-90%), freschi (temperatura 5-30°C), bui, ben ventilati, lontano da spigoli taglienti, sostanze chimiche e altre condizioni dannose.



Non immagazzinare questo dispositivo bagnato!

CAPITOLO 7

CONTROLLI ISPEZIONI E REVISIONI

7.1 CONTROLLI

Prima e dopo ogni utilizzo è necessario controllare il dispositivo ed assicurarsi che:

- sia idoneo per l'uso a cui lo si vuole destinare,
- non abbia subito deformazioni meccaniche e non presenti cricche o segni di usura,
- le parti tessili non presentino tagli, bruciature, residui di prodotti chimici, eccessiva peluria, usura, in particolare verificare le zone in contatto con i componenti metallici,
- le marcature, comprese le etichette, siano leggibili.

7.2 ISPEZIONI

L'ispezione del dispositivo deve essere effettuata con frequenza almeno annuale, a partire dalla data di primo utilizzo, da personale competente formato e autorizzato da KONG S.p.A. La data di primo utilizzo e l'esito delle ispezioni devono essere registrati sul Registro Ispezioni e Revisioni, di cui si riporta un esempio nel capitolo 10.

7.3 REVISIONI

La revisione del dispositivo deve essere effettuata da KONG S.p.A., o da personale competente formato e autorizzato dalla stessa, qualora:

- si rilevino malfunzionamenti,
- l'esito dei controlli pre e post uso o delle ispezioni sia negativo.

L'esito delle revisioni deve essere registrato sul Registro Ispezioni e Revisioni, di cui si riporta un esempio nel capitolo 10.

Il dispositivo revisionato è garantito per un anno dalla data di revisione.

CAPITOLO 8

DURATA E GARANZIA

8.1 DURATA

Leggere attentamente il paragrafo “Avvertenze e limitazioni d'uso” al capitolo 2. La durata di questo dispositivo è determinata dall'esito delle ispezioni almeno annuali (paragrafo 7.2) e dalle eventuali revisioni. La sospensita, anche se non utilizzata, deve essere sostituita dopo 10 anni dal primo utilizzo e comunque non oltre 12 anni dalla data di fabbricazione.



Importante: eliminare e rendere inutilizzabili i dispositivi che non hanno superato i controlli pre-uso, post-uso o le ispezioni periodiche.

8.2 SMALTIMENTO

Per un corretto smaltimento ci si deve attenere alle regole vigenti nel paese di utilizzo o alle procedure di smaltimento rifiuti della struttura ospedaliera di riferimento.

8.3 GARANZIA

Il fabbricante garantisce la conformità del dispositivo alle norme vigenti al momento della produzione. La garanzia per vizi è limitata ai difetti delle materie prime e di fabbricazione, non comprende la normale usura, l'ossidazione, i danni provocati da uso non conforme e/o in competizioni, da non corretta manutenzione, trasporto, conservazione o immagazzinamento, ecc.. La garanzia decade immediatamente nel caso vengano apportate modifiche o manomissioni al dispositivo. La validità corrisponde alla garanzia legale del paese in cui è stato venduto il dispositivo, a decorrere dalla data di vendita, da parte del fabbricante. Decorso tale termine nessuna pretesa potrà essere avanzata nei confronti del fabbricante. Qualsiasi richiesta di riparazione o sostituzione in garanzia dovrà essere accompagnata da una prova di acquisto. Se il difetto è riconosciuto, il fabbricante si impegna a riparare o, a sua discrezione, a sostituire o rimborsare il dispositivo. In nessun caso la responsabilità del fabbricante si estende oltre il prezzo di fattura del dispositivo.

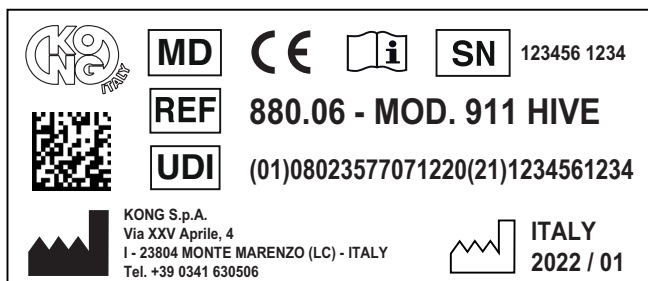
8.4 OBBLIGHI DI LEGGE

Le attività professionali e del tempo libero sono sovente regolate da apposite leggi nazionali che possono imporre limiti e/o obblighi all'utilizzo di questi dispositivi. È obbligo dell'utilizzatore conoscere ed applicare tali leggi che potrebbero prevedere limiti differenti da quanto riportato in queste informazioni.

CAPITOLO 9

ETICHETTATURA E SIMBOLOGIA

9.1 ETICHETTATURA DEL DM



Eventuali variazioni nella disposizione della simbologia non modificano i contenuti.

9.2 SIMBOLOGIA

Identificazione e rintracciabilità

| | |
|--|--------------------------------------|
| | Dispositivo medico |
| | Codice identificativo del prodotto |
| | Identificativo Unico del Dispositivo |
| | Identificazione del fabbricante |
| | Numero di serie |
| | Paese, anno e mese di produzione |



Data matrix UDI
Leggibile con le App:
iGepir - BarValid - Barcode Scanner

Informazione e sicurezza

| | |
|--|---------------------------------------|
| | Consultare il manuale d'uso |
| | Conforme al Regolamento (EU) 2017/745 |

10.3 DICHIARAZIONE DI CONFORMITÀ UE

La Dichiarazione di Conformità UE è scaricabile da www.kong.it



KONG s.p.a.

via XXV Aprile, 4 | 23804 Monte Marengo (LC) - ITALY | tel +39 0341.630506 | info@kong.it



certified UNI EN ISO 9001

DICHIARAZIONE DI CONFORMITÀ UE EU DECLARATION OF CONFORMITY

Il fabbricante
Manufacturer:

Ragione sociale:
Company:

KONG S.p.A.

Sede legale:
Registered office:

Via XXV Aprile, 4 - 23804 Monte Marengo (LC)

Numero di registrazione unico:
Single registration number:

**IT-MF-000027905
IT-MF-000027905**

Dichiara sotto la propria ed unica responsabilità che il dispositivo:
Declares under its sole responsibility that the device:

Nome Commerciale:
Commercial name:

911 HIVE

UDI-DI di Base:
Basic UDI-DI:

8023577STRETCHERSQP

EMDN

V08050199 – Barelle per il trasferimento di pazienti - altre
V08050199 - Stretchers for the transfer of patients – others

Destinazione d'uso
Intended use:

Barella per il trasporto dei pazienti durante operazioni di soccorso
Stretcher for transporting patients during rescue operations

è conforme al Regolamento (UE) 2017/745
complies with (EU) Regulation 2017/745

Classificazione:
Classification:

Classe I (All. VIII regola 1)
Class I (Ann. VIII rule 1)

Procedimento di valutazione della conformità:
Conformity evaluation procedure:

All. II e III
Ann. II and III

Monte Marengo, 23/11/2022

KONG S.p.A.
Il Legale Rappresentante
The legal representative
Dott. Marco Bonaiti

Modulo in revisione 1 del 01/12/2021 / Revision form 1 of 01/12/2021

Cap. Soc. € 2.000.000,00 | C.C.I.A.A. Lecco REA 165758 | Reg. Imprese di Lecco 00703180166 | P.IVA (VAT): IT 00703180166 | SDI code: DXEBYTP

www.kong.it

CAPITOLO 11

ELENCO DELLE NORME APPLICATE E DI RIFERIMENTO

11.1 NORME APPLICATE

- EN 597-1: 2015
Mobili - Verifica dell'accendibilità dei materassi e delle basi del letto imbottite - Parte 1: Sorgente di accensione sigaretta in combustione lenta
- EN 1865-1: 2010 + A1: 2015
Attrezzature per il trasporto dei pazienti utilizzate nelle autoambulanze - Parte 1: Sistemi generali di barelle e attrezzature per il trasporto dei pazienti
- EN 62366-1: 2015 + A1: 2020
Dispositivi medici - Applicazione dell'ingegneria delle caratteristiche utilizzative ai dispositivi medici
- EN ISO 846:2019
Materie plastiche - Valutazione dell'azione dei microorganismi
- EN ISO 10993-1: 2020
Valutazione biologica dei dispositivi medici - Parte 1: Valutazione e prove all'interno di un processo di gestione del rischio
- EN ISO 10993-5: 2009
Valutazione biologica dei dispositivi medici - Parte 5: Prove per la citotossicità in vitro
- EN ISO 10993-23: 2021
Valutazione biologica dei dispositivi medici - Parte 23: Prove di irritazione
- EN ISO 14971: 2019
Dispositivi medici - Applicazione della gestione dei rischi ai dispositivi medici
- EN ISO 15223-1: 2021
Dispositivi medici - Simboli da utilizzare con le informazioni che devono essere fornite dal fabbricante - Parte 1: Requisiti generali
- EN ISO 20417: 2021
Dispositivi medici - Informazioni fornite dal fabbricante

11.2 NORME UTILIZZATE COME RIFERIMENTO

- EN ISO 13485: 2016
Dispositivi medici - Sistemi di gestione della qualità - Requisiti per scopi regolamentari
- EN 13718-1: 2014 + A1: 2020
Veicoli medici e loro attrezzatura - Ambulanze aeree - Parte 1: Requisiti per i dispositivi medici utilizzati nelle ambulanze aeree

KONG s.p.a.

Via XXV Aprile, 4 - (zona industriale)

I - 23804 MONTE MARENZO (LC) - ITALY

Tel +39 0341630506 - Fax +39 0341641550

www.kong.it

Y5760000YBK