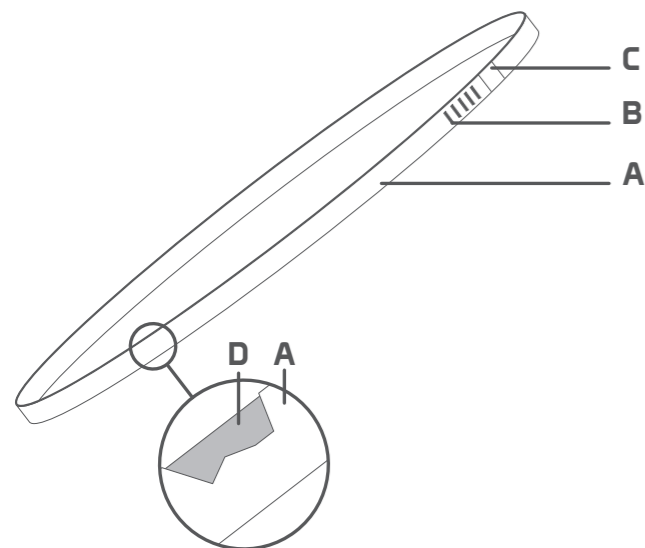


## NOMENCLATURE



**A** Webbing | **B** Main seams | **C** Label | **D** Internal wear indicator  
**Main material:** polyamide

**A** Fettuccia | **B** Cucitura principale | **C** Etichetta | **D** Indicatore di usura interno  
**Materiale principale:** poliammide

**A** Sangle | **B** Couture principale | **C** Étiquette | **D** Indicateur d'usure interne  
**Matériau principal :** polyamide

**A** Gurtband | **B** Hauptnaht | **C** Etikett | **D** Interne Verschleißanzeige  
**Hauptmaterial:** Polyamid

**A** Correa | **B** Costura principal | **C** Etiqueta | **D** Indicador interno de desgaste  
**Material principal:** poliamida

**A** тесьма | **B** основной шов | **C** этикетка | **D** внутренний индикатор износа  
**Основной материал:** полиамид



# 280.A00 ARO BULL

WWW.KONG.IT



**Read and always follow the information supplied by the manufacturer**  
 Leggere e seguire sempre le informazioni fornite dal fabbricante  
 Toujours lire et suivre les informations fournies par le fabricant  
 Die Angaben des Herstellers müssen immer gelesen und befolgt werden  
 Lea siempre y respeta la información proporcionada por el fabricante  
 Читайте и всегда следуйте информации, предоставленной производителем



**Download the declaration of conformity at:**  
 Scarica la dichiarazione di conformità da:  
 Télécharger la déclaration de conformité sur:  
 Laden Sie die Konformitätserklärung herunter von:  
 Descargar la declaración de conformidad en:  
 Загрузить заявление о соответствии:  
[www.kong.it/conformity](http://www.kong.it/conformity)



**Please calculate the lifespan of the device according to:**  
 Calcola la vita utile del dispositivo in accordo a:  
 Calculer la durée de vie de le dispositif selon:  
 Berechnen Sie die Lebensdauer der Vorrichtung nach:  
 Calcular la vida útil del dispositivo según:  
 Пожалуйста, рассчитайте срок службы устройства в соответствии с:  
[www.kong.it/en/life/](http://www.kong.it/en/life/)

Y5647000BFK

KONG S.p.A. - Via XXV Aprile, 4 23804 Monte Marenzo (LC) - Italy  
 ☎ +39 0341 630506 | ✉ info@kong.it

## SPECIFIC INFORMATION

Master Text

Category III Personal Protective Equipment 280.A00 ARO BULL is:  
 - a flexible connecting element without a length adjustment device certified in accordance with EN 354:2010;  
 - an anchor device with one or more stationary anchor points without the need for a structural anchor or fixing element to fix it to the structure, intended for use within personal fall protection systems and certified in accordance with standard EN 795:2012 type B;  
 - an anchorage connector certified in accordance with the standard ANSI/ASSP Z359.18-2017.

**Use in accordance with EN 354**  
 Examples of correct use (fig. 1, 2, 3).

**Warning:**  
 - appropriate precautions must be taken if the device could hit sharp edges;  
 - the anchor point must comply with EN 795 and always be positioned above the harness attachment point;  
 - this device must always be taut, in order to limit possible falls;  
 - the use of this device knotted reduces its resistance by up to 60 %;  
 - the total length of the entire system (including this device, energy absorber and connectors) must not be longer than 2 m (fig. 3);  
 - do not connect more than one user to an energy absorber, or more than one energy absorber to a user;  
 - the device is only suitable for connecting one user;  
 - particular conditions (e.g. heat, cold, humidity, oil, dust) reduce the performance of the device;  
 - the potential fall height must always be lower than 0.5 m, unless the user is equipped with suitable devices (e.g. energy absorbers according to EN 355) that protect against the dynamic forces exerted on the user during the arrest of a fall.

**Use in accordance with EN 795 Type B**  
 This device can be placed on a structure or fixed to it, e.g. by means of a lark's foot knot (fig. 4).

**Warning:**  
 - when this device is used as a part of a fall arrest system, the user shall be equipped with a means of limiting the maximum dynamic forces exerted on the user during arrest of a fall to a maximum of 6 kN;  
 - the device is suitable for connecting only one user;  
 - this device shall only be used for personal fall protection equipment and not for lifting equipment;  
 - it is recommended that the anchor device is marked with the date of the next or last inspection.

**Use as anchorage connector type A, according to standard ANSI/ASSP Z359.18-2017**  
 The device is tested according to standard ANSI/ASSP Z359.7.

For installation, see examples in figure 4 and use only connectors conforming to the standard ANSI Z359.12. Do not install any other way and avoid structures with sharp edges or abrasive surfaces.

**Warning:**  
 - ANSI compliance and testing apply only to the device ARO BULL and do not extend to the anchor and substrate to which the anchorage connector is attached;  
 - the structure for installation must withstand a static load of at least 5000 lbs (22.2 kN);  
 - only one fall protection or positioning system may be connected to a single connection point;  
 - it is absolutely forbidden to modify and/or repair this device;  
 - particular conditions (e.g. heat, cold, moisture, oil, dust) reduce the performance of the device;  
 - take appropriate precautions when this device is used near moving machinery or when electrical hazards are present;  
 - do not connect more than one person at a time to the anchorage;  
 - do not use the device if it is damaged or in need of inspection.  
 Strength is compliant with ANSI/ASSE requirements for use by one person: 5000 lbs / 22.2 kN.

**Compatibility**  
 This device is designed to be used with:  
 - connectors conforming to EN 362 and ANSI standard Z359.12;  
 - harnesses conforming to EN 361, EN 358, EN 813;  
 - anchor devices conforming to EN 795;  
 - energy absorbers conforming to EN 355.

**Checks before and after use**  
 Before and after use, make sure that the device is in an efficient condition and that it works properly, in particular, check that:  
 - it is suitable for the intended use;  
 - it does not have cuts, burns, chemical residues, excessive hair, wear, tear, or signs of UV contamination;  
 - the seams (B) are intact and that there are no cut or loose threads;  
 - the internal wear indicator (C) is not exposed;  
 - markings, including labels, are legible.

**Certification**  
 This device has been certified:  
 - in accordance with EN 354:2010 and EN 795:2012 by notified body no. 0123 - TÜV SÜD Product Service GmbH Daimlerstraße 11 - 85748 Garching - Germany;  
 - in accordance with the standard ANSI/ASSP Z359.18-2017 by Intertek Testing Services NA Inc., 3933 US-11, Cortland NY 13045 - USA.

## DRAWINGS

